



5V Output Gigabit PoE Splitter

PT-PD208GB-5

Product Overview

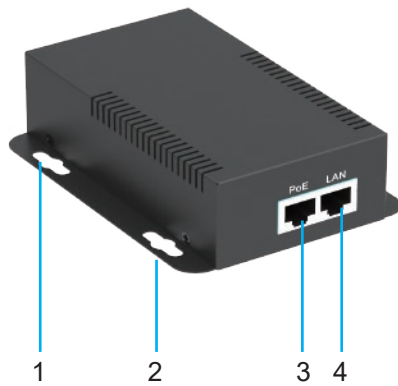
PT-PD208GB-5 is a single-port PoE splitter with high-impact metal shell. It works as a converter separating power and data from PoE injector and delivering power and data to non-PoE devices. The output power is 5Vdc 5A. It supports 10/100/1000Mbps of data speed. It works for 25W non-PoE PDs, such as high power communication station, wireless APs, network cameras and other non-PoE terminals.

PT-PD208GB-5 is designed for indoor use. It is powered by IEEE802.3bt standard PSE or PoE++ Switch. The effective distance is 100 meters over Cat5e/Cat6 cables.

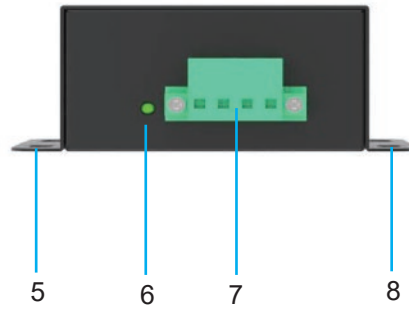
It is an isolated design inside to avoid high current input damage. The model is easy to install with four mounting holes.



Product Profile

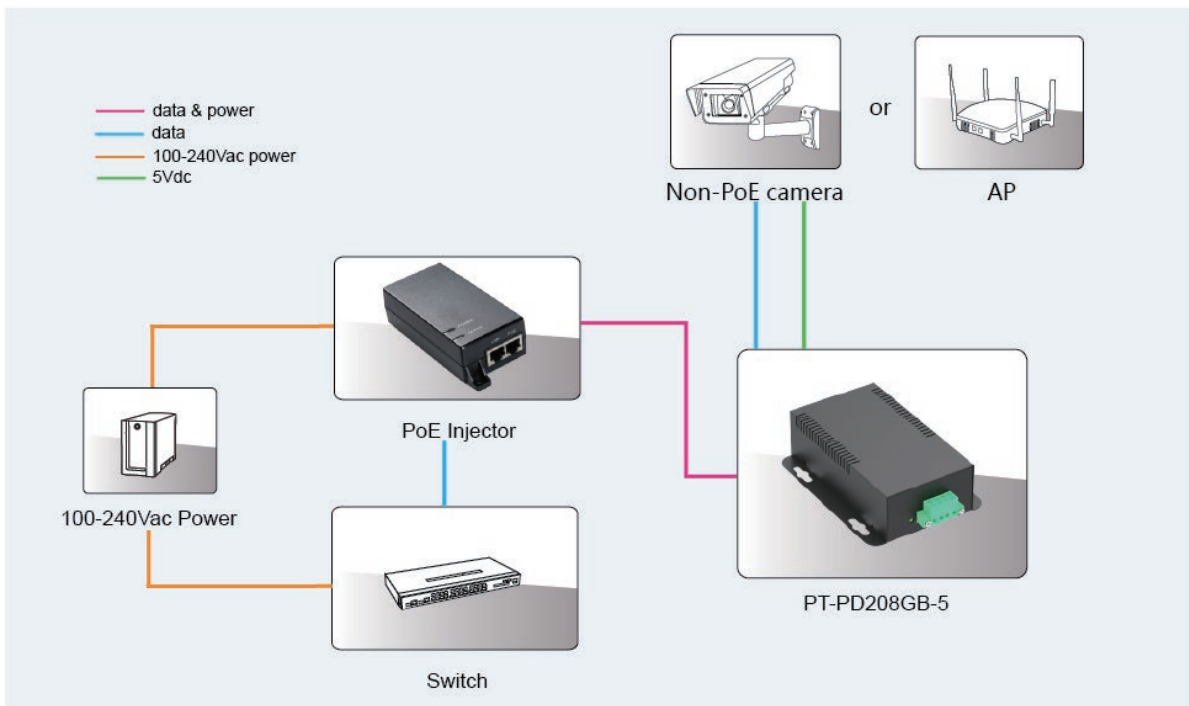


- 1. 2. 5. 8. Mounting hole
- 3. PoE: Data&Power input port
- 4. LAN output port



- 6. Power output indicator
- 7. DC power output connector

Product Working Diagram



Specification

Standard

- IEEE802.3 10Base-T Ethernet
- IEEE802.3u 100Base-Tx Fast Ethernet
- IEEE802.3ab 1000Base-T Gigabit Ethernet
- Support PoE injector/ PoE switch with IEEE802.3bt
- RoHS Compliance
- WEEE Compliance

Input & Output

- Input : IEEE802.3bt
- Output: 5Vdc 5.0A
- Input Power Pins: 4/5(+), 7/8(-) and 3/6(+),1/2(-) or 4/5(+), 7/8(-) and 3/6(-),1/2(+)
- Data Speed: 10/100/1000Mbps

Working Environment

- Operating Temperature: 0 C to 40 C
- Operating Humidity: 20% to 80%, non-condensation
- Storage Temperature: -20 C to 70 C
- Storage Humidity: 10% to 90%, non-condensation
- Operating Altitude: up to 2000meters

Mechanical Characteristics

- Case: Metal
- Color: Black
- Mounting: Wall-mounted
- IP Rated: IP20
- Size: 138.8mm X 89mm X 36mm
- Weight: 350g

Safety Approvals

- CE

EMI

- FCC CFR47 Part 15, EN55032, EN55035

EMS

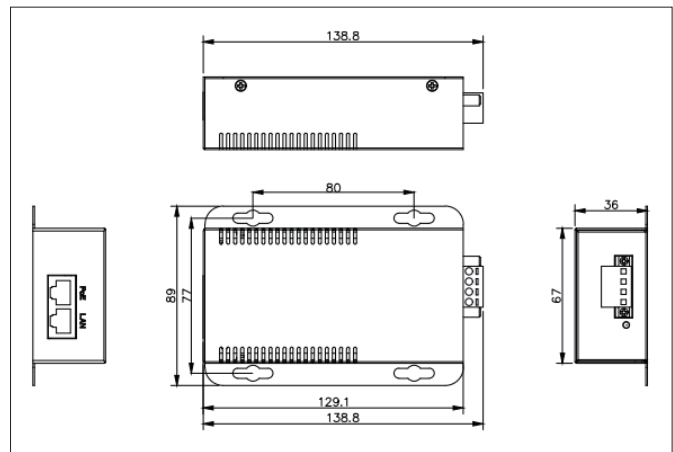
- IEC61000-4-2(ESD) Air discharge: 8kV,
Contact discharge: 4kV, Performance B
- IEC61000-4-3(RS) 80~1000MHz,3V/m,80%AM(1kHz),
Performance A
- IEC61000-4-4(EFT) AC Power line: 1kV, Performance B
DC Power line:0.5kV,Performance B
Signal line:0.5kV, Performance B

Immunity

- IEC60068-2-6(Vibration)
- IEC60068-2-27(Impact)
- IEC60068-2-32(Free Fall)

LED Indicator

- Power output Indicator : Green



Order Info. PT-PD208GB-5

5Vdc/5.0A/25W/1000Mbps

Packing. PT-PD208GB-5
Manual x 1

This document belongs to PROCET company. It is not allowed to reproduce and modify without the original author's permission. It is PROCET's policy to improve its products as new technology, components, software, and firmware at any time. PROCET, therefore, reserves the right to change specifications without prior notice. (2026.05)