

IH50

Industrial 2D Handheld Scanner

Strong decoding performance
Super long scan distance
Sturdy and durable design



1D/2D



32Bit ARM



Auto



1280x800Pixel



IP65



Plug and play



2M Drop

Features

- 1280x800 pixels image sensor, combined with unique algorithm
- Long scan distance and strong decoding performance
- Strong decoding capability on small and difficult barcodes (blurred, wrinkled, low contrast and high density barcodes)
- IP65 standard rugged housing withstand 2m free drop
- Support multiple interfaces: USB HID, USB-VCOM and RS-232



SUNLUX IOT TECHNOLOGY (GUANGDONG) INC.

Office Add: Room 1201, Building A, No.76 Xinye Road, Huangpu District, Guangzhou, 511356, China
Tel: +86-20-32053765 Fax: +86-20-82115390 Website: www.xl-scan.com E-mail: overseas01@xl-scan.cn



IH50

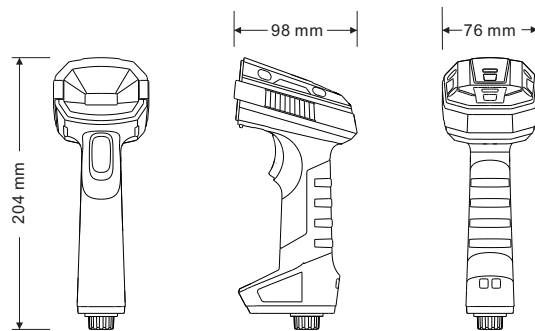
Technical Parameters



Performance Parameter	
CPU	32-bit ARM
Scan Mode	Manual & Automatic
Image Sensor	CMOS
Image Size	1280x800 Pixels
Scanning Speed	60 fps
Mnimum Resolution	≥3mil
Light Source	White LED Lighting, Laser aiming
Decoding Depth	40~470mm(13mil EAN13 PCS=90%)
Print Contrast	≥15%
Field Angle	Horizontal 40.6°; Vertical 30.4°
Interface	USB, RS232
Decoding Capability	1D: Codabar, Code11, Code39, Code32, Interleaved 2 of 5, Industrial 2 of 5, Matrix 2 of 5, Code93, Code128,UPC-A, UPC-E, EAN 8, EAN 13, GS1 DataBar(RSS14), Matrix 2 of 5, Standard 2 of 5 2D: PDF417, Micro PDF417, QR Code, Micro QR, Data Matrix, Aztec Code, MaxiCode

Other Parameters

Size	L × W × H: 98 × 76 × 204(mm)
Weight	485g±10g(including cable) 270g±10g(without cable)
Materials	ABS+PC(with flame resistant effect)
Cable	Standard 3M straight
Drop Resistance	2m
Working Current	280mA±10%
Standby Current	42mA±10%
Temperature (Operating)	-20°C~50°C
Humidity	5% to 95% (non-condensing)
Temperature (Storage)	-20°C~60°C
IP	IP65
Resistance To Ambient Light	0~5000Lux (fluorescent light) 0~100,000Lux (sunlight)



*IH50-05/25B-V1.0.1